

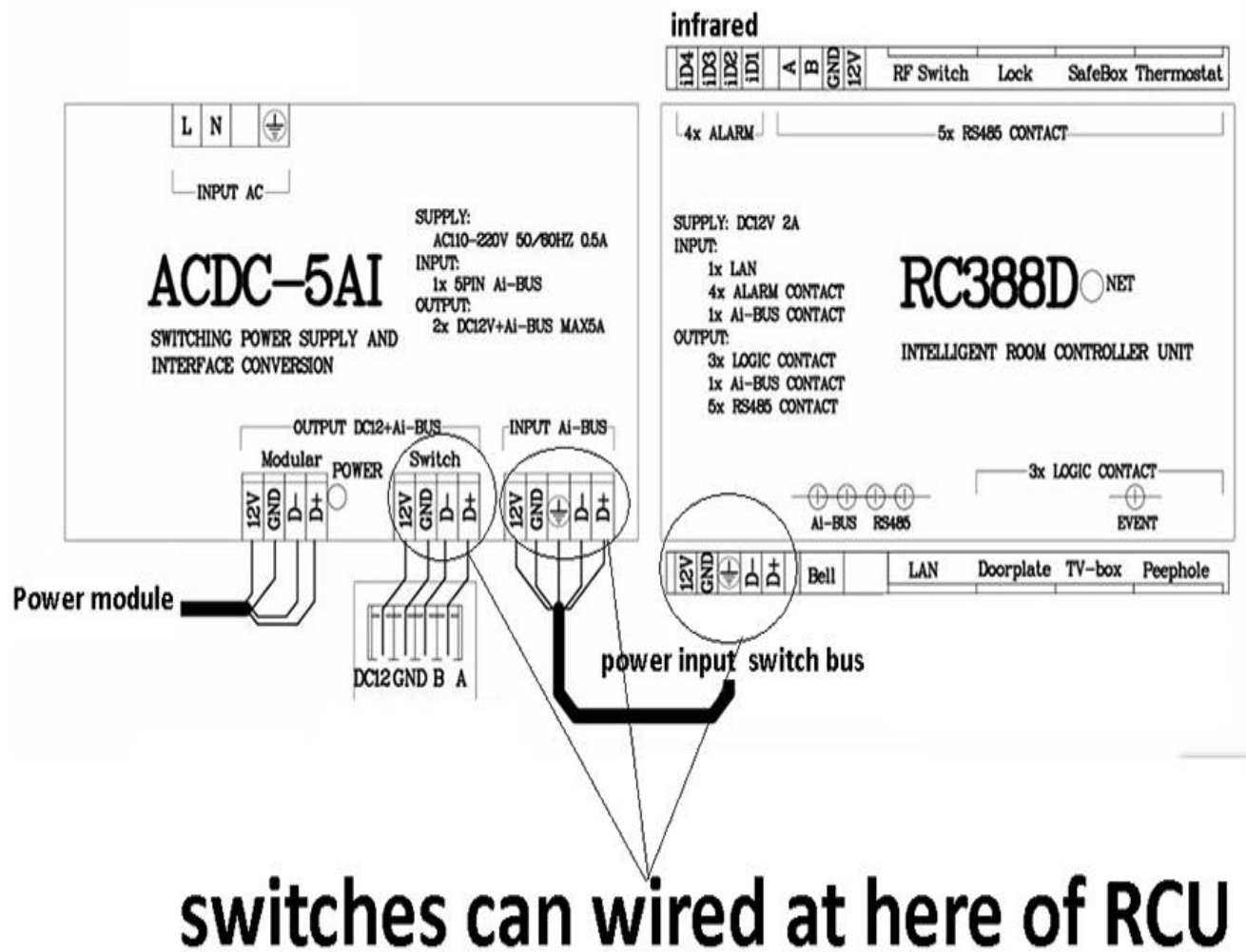
## BWRC388 Wired

BWRC388 wired method as following:

### 1. Lamp Connect to the RCU

<i>output</i>						
<i>C1</i>	<i>C2</i>	<i>C3</i>	<i>C4</i>	<i>C5</i>	<i>C6</i>	<i>C0</i>
<i>AC 1</i>	<i>AC 2</i>	<i>AC 3</i>	<i>AC 4</i>	<i>AC 5</i>	<i>AC 6</i>	<i>Contactor</i>
<i>C7</i>	<i>C8</i>	<i>C9</i>	<i>C10</i>	<i>C11</i>	<i>C12</i>	<i>C13</i>
<i>AC 7</i>	<i>AC 8</i>	<i>AC 9</i>	<i>AC 10</i>	<i>AC 11</i>	<i>AC 12</i>	<i>AC 13</i>
<i>C14</i>	<i>C15</i>	<i>C16</i>	<i>C17</i>	<i>C18</i>	<i>C19</i>	<i>C20</i>
<i>AC 14</i>	<i>AC 15</i>	<i>AC 16</i>	<i>air conditioner valve open</i>	<i>air conditioner low</i>	<i>air conditioner middle</i>	<i>air conditioner high</i>

2. Switch/Lock/Safe Box/ Connect to the RCU



3. Remark of the Side Ports (Left and Right Ports of the Switch)

