

# Bonwin RF Card Switch BWS903-Q

## 1. Parameter:

**Working voltage:** 50~60HZ 200~250VAC

**Maximum load current:** <30A

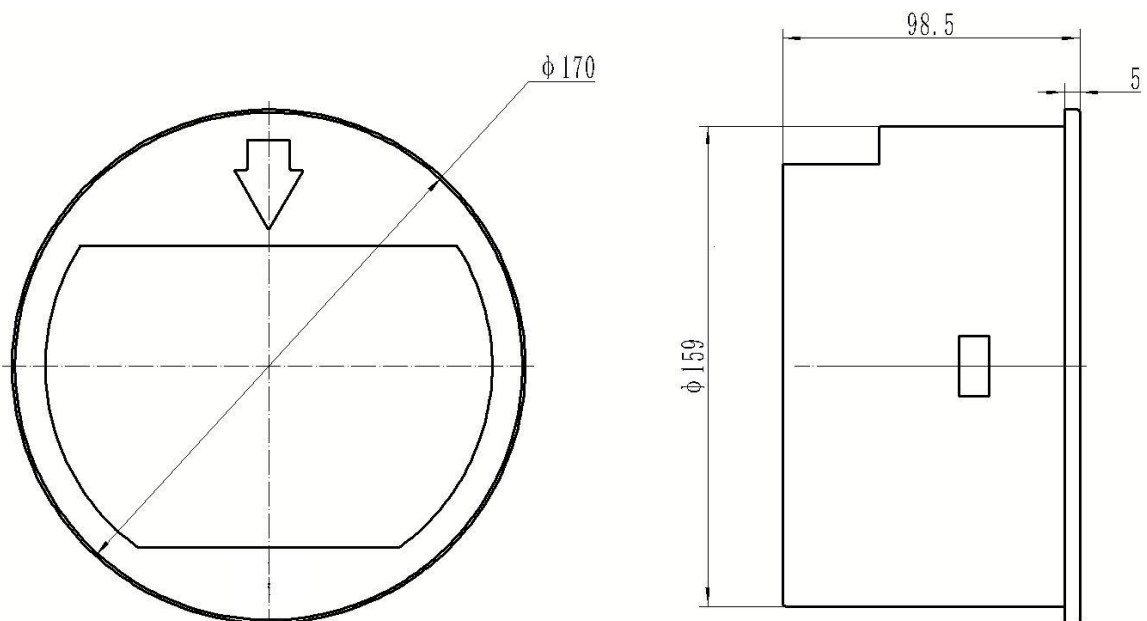
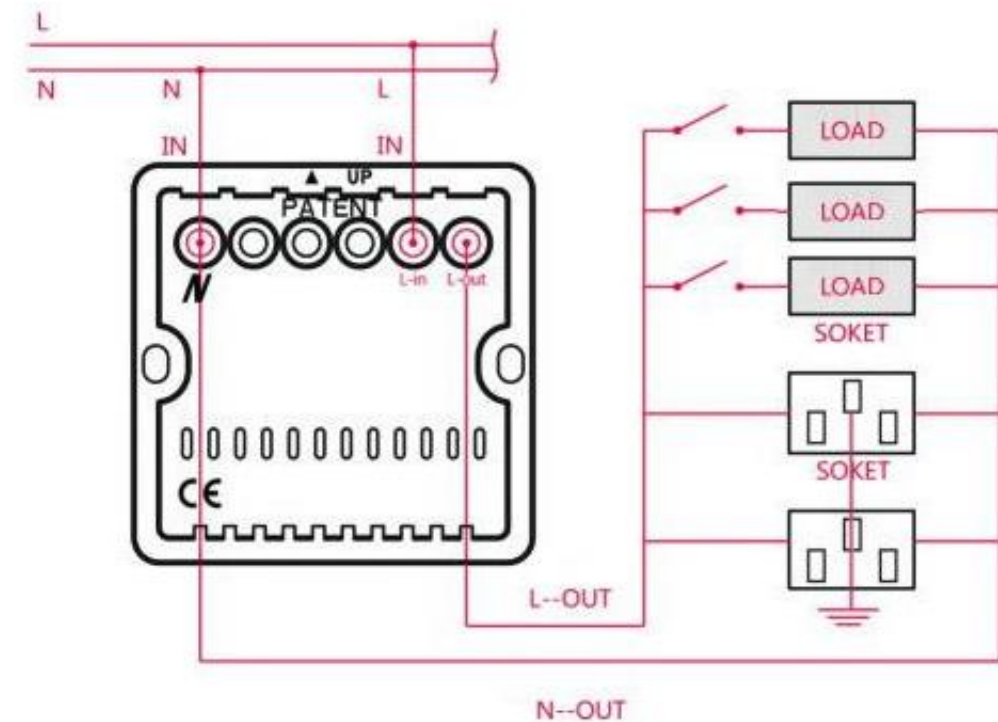
**Identification core module:** DC9~15V, <60mA

**Delay time:** 10~20 second

**Working temperature:** -10~60°C

**Operating Humidity:** 50°C, 10~95%RH

## 2. Wring & Size



### 3. Switch setting

Insert system card into switch and remove it out;

**A:** if switch LED blinks, insert Room No. card and remove. It's done.

**B:** if switch LED doesn't blink, insert system card again and remove, the LED will blink. Before blink stops, insert Room No. card and remove. It's done.

